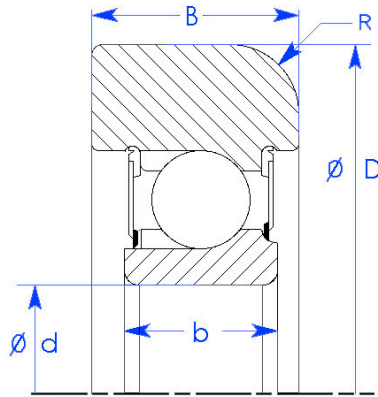




Enduro™ Linde Mast Guide Bearings

ABI Industries
6505 San Leandro St.
Oakland, CA 94621
Tel: 510 613 8200
Fax: 510 613 8207

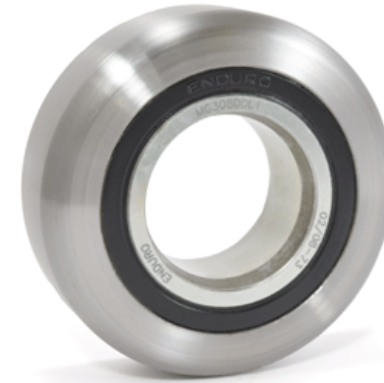


Linde forklifts use a unique series of compact, high capacity mast guide bearings.

These European spec mast guide bearings are increasingly popular in North America as well.

The Enduro bearings in this table are perfect replacements for popular Linde sizes.

All sizes listed are stock in Oakland, CA.



Part Number	Linde Part Number	Ø d	Ø D	b	B	R	Dyn. Cr	Stat. Cor	Weight
		mm	mm	mm	mm	mm	(N)	(N)	lbs.
MG 306 DDL-1	0009249441, 0009249512	30	75.2	16.0	24	6	57,100	67,100	1.30
MG 306 DDL-2	0009249442, 0009249513	30	75.7	16.0	24	6	57,100	67,100	1.30
MG 306 DDL-3	0009245929	30	75.9	16.0	24	6	57,100	67,100	1.30
MG 306 DDL-4	0009249443, 0009249514	30	76.2	16.0	24	6	57,100	67,100	1.30
MG 306 DDL-6	0009249533	30	75.3	23.5	24	6	21,000	16,000	1.25
MG 306 DDL-7	0009249534	30	75.6	23.5	24	6	21,000	16,000	1.25
MG 306 DDL-8	0009249535	30	75.9	23.5	24	6	21,000	16,000	1.25
MG 306 DDL-11	0009249402	30	75.0	10.0	24	4	57,100	67,250	3.85
MG 306 DDL-12	0009249403	30	76.0	10.0	24	4	57,100	67,250	3.85
MG 306/36 DDL-15	0009249421	36	89.5	9.0	29	6	75,680	93,600	2.35
MG 306/36 DDL-16	0009249412	36	90.5	9.0	29	6	75,680	93,600	2.40
MG 307 DDL-1	0009249504	35	80.9	25.8	26	6	25,800	21,070	1.25
MG 307 DDL-2	0009249505	35	81.2	25.8	26	6	25,800	21,070	1.25
MG 307 DDL-3	0009249506	35	81.5	25.8	26	6	25,800	21,070	1.25
MG 307 DDL-4	0009249556	35	81.8	25.8	26	6	25,800	21,070	1.25
MG 307/34 DDL-17	0009249422, 0009249491	34	105.0	9.0	34	6	95,640	115,300	3.85
MG 307/34 DDL-18	0009249424	34	105.7	9.0	34	6	95,640	115,300	3.85
MG 308 DDL-1	0009249475, 0009249454	40	89.9	28.7	29	6	38,200	30,200	2.00
MG 308 DDL-2	0009249476, 0009249455	40	90.2	28.7	29	6	38,200	30,200	2.00
MG 308 DDL-3	0009249477, 0009249456	40	90.5	28.7	29	6	38,200	30,200	2.00
MG 308 DDL-7	723759	40	89.9	23.8	29	6	29,520	18,140	2.10
MG 308 DDL-8	723760	40	90.2	23.8	29	6	29,520	18,140	2.10
MG 308 DDL-9	723761	40	90.5	23.8	29	6	29,520	18,140	2.10
MG 308 DDL-10	723762	40	90.8	23.8	29	6	29,520	18,140	2.10
MG 309 DDL-1	0009249480	45	105.4	33.63	33.9	5.3	49,500	38,900	3.30
MG 309 DDL-2	0009249481	45	105.8	33.63	33.9	5.3	49,500	38,900	3.30
MG 309 DDL-3	0009249482, 0009249519	45	106.1	33.63	33.9	5.3	49,500	38,900	3.30
MG 313 DDL-1	0009249461	65	135.1	35	42	6	56,300	57,600	5.95
MG 313 DDL-2	0009249462	65	135.6	35	42	6	56,300	57,600	6.00
MG 313 DDL-3	0009249463	65	136.0	34	42	6	56,300	57,600	6.05