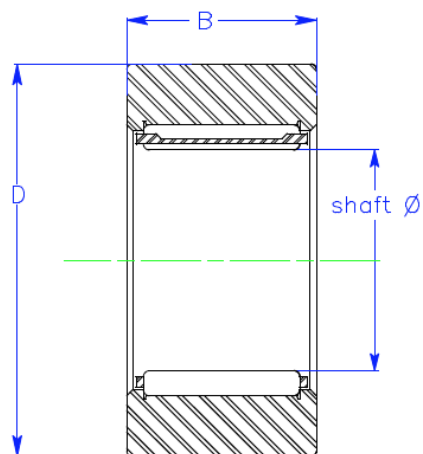


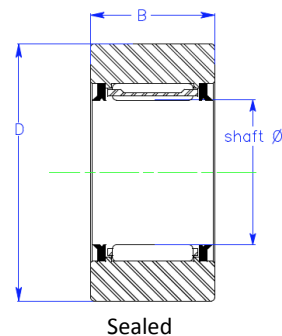


## Enduro™ SRF Series Outer Roller Assembly

ABI Industries  
6505 San Leandro St.  
Oakland, CA 94621  
Tel: 510 613 8200  
Fax: 510 613 8207



SRF series Outer Roller Assembly  
Track roller design runs directly on OD  
SS series sealed on both sides  
Use with or without MI series inner ring  
Special order options include:  
-Special coatings for various environments



Part Number	Shaft Ø	D	B
SRF 20	0.5000	1.0000	0.495
SRF 25	0.6250	1.2500	0.620
SRF 30	0.7500	1.5000	0.745
SRF 35	0.8750	1.7500	0.745
SRF 40	1.0000	2.0000	0.995
SRF 45	1.2500	2.2500	0.995
SRF 50	1.3700	2.5000	0.995
SRF 55	1.5000	2.7500	1.245
SRF 60	1.6250	3.0000	1.245
SRF 65	1.7500	3.2500	1.245
SRF 70	1.8750	3.5000	1.245
SRF 75	2.0000	3.7500	1.245
SRF 80	2.2500	4.0000	1.245
SRF 20 SS	0.5000	1.0000	0.495
SRF 25 SS	0.6250	1.2500	0.620
SRF 30 SS	0.7500	1.5000	0.745
SRF 35 SS	0.8750	1.7500	0.745
SRF 40 SS	1.0000	2.0000	0.995
SRF 45 SS	1.2500	2.2500	0.995
SRF 50 SS	1.3700	2.5000	0.995
SRF 55 SS	1.5000	2.7500	1.245