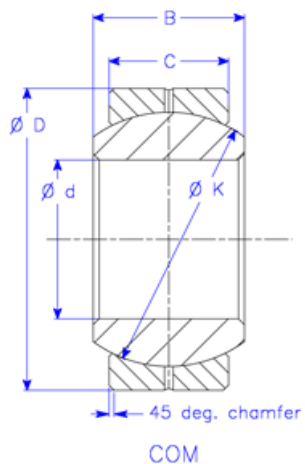




Enduro™ COM Series Bushings

ABI Industries
6505 San Leandro St.
Oakland, CA 94621
Tel: 510 613 8200
Fax: 510 613 8207



- COM inch series bushing
- Lubrication port and groove in outer race
- Outer race treated with anti-corrosive coating
- Special order options include:
 - High temperature seals
 - Tapered and/or special sized bores
 - Special coatings for various environments



Part Number	Ø d (inches)	Ø D (inches)	B (inches)	C (inches)	Ø K (inches)	Stat. Co (kN)	Weight (lbs)
COM 3	0.1900	0.5625	0.281	0.218	0.406	14.5	0.02
COM 4	0.2500	0.6562	0.343	0.250	0.500	22.0	0.02
COM 5	0.3125	0.7500	0.375	0.281	0.562	29.0	0.03
COM 6	0.3750	0.8125	0.406	0.312	0.625	37.0	0.04
COM 7	0.4375	0.9062	0.437	0.343	0.687	45.0	0.05
COM 8	0.5000	1.0000	0.500	0.390	0.781	60.0	0.07
COM 9	0.5625	1.0937	0.562	0.437	0.875	71.0	0.09
COM 10	0.6250	1.1875	0.625	0.500	0.968	93.0	0.12
COM 12	0.7500	1.4370	0.750	0.593	1.187	133.0	0.21
COM 14	0.8750	1.5625	0.875	0.703	1.312	183.0	0.27
COM 16	1.0000	1.7500	1.000	0.797	1.500	243.0	0.38
HCOM 16	1.0000	2.0000	1.000	0.781	1.687	315.0	0.55
HCOM 19	1.1875	2.3752	1.187	0.937	2.000	448.0	0.90
HCOM 20	1.2500	2.3752	1.187	0.937	2.000	448.0	0.90
HCOM 24	1.5000	2.7500	1.375	1.094	2.312	604.7	1.36
HCOM 28	1.7500	3.1252	1.562	1.250	2.625	784.0	1.95
HCOM 32	2.0000	3.5000	1.750	1.375	2.937	965.0	2.64