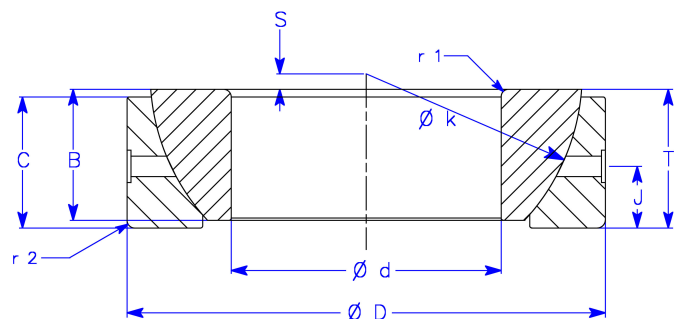




Enduro™ GACZ.S Series Bushings

ABI Industries
6505 San Leandro St.
Oakland, CA 94621
Tel: 510 613 8200
Fax: 510 613 8207



GACZ..S

- GACZ.S inch series bushing
- Lubrication port groove on outer race
- All surfaces phosphate treated
- Both races coated with MoS₂
- Special order options include:
 - High temperature seals
 - Tapered and/or special sized bores
 - Special coatings for various environments



Part Number	Ø d (inches)	Ø D (inches)	B (inches)	C (inches)	T (inches)	J (inches)	S (inches)	Ø K (inches)	r 1 & r 2 (inches)	Dyn. C (kN)	Stat. Co (kN)	Weight (lbs)
GACZ 12 S	0.500	0.8750	0.27	0.190	0.300	0.094	0.244	0.719	0.020	6	18	0.03
GACZ 15 S	0.625	1.0625	0.34	0.250	0.370	0.109	0.307	0.899	0.031	10	31	0.06
GACZ 19 S	0.750	1.2500	0.41	0.310	0.440	0.125	0.365	1.080	0.039	16	47	0.08
GACZ 22 S	0.875	1.4375	0.48	0.380	0.520	0.172	0.436	1.258	0.079	22	66	0.11
GACZ 25 S	1.000	1.6250	0.55	0.440	0.600	0.203	0.493	1.437	0.079	29	87	0.19
GACZ 31 S	1.250	2.0000	0.70	0.550	0.740	0.234	0.601	1.795	0.079	47	142	0.35
GACZ 34 S	1.375	2.1875	0.77	0.600	0.840	0.281	0.688	1.937	0.098	53	159	0.47
GACZ 38 S	1.500	2.4375	0.84	0.660	0.910	0.312	0.750	2.155	0.098	66	197	0.66
GACZ 44 S	1.750	2.8125	0.98	0.790	1.070	0.328	0.880	2.515	0.098	91	273	1.0
GACZ 50 S	2.000	3.1875	1.13	0.920	1.230	0.375	1.010	2.875	0.142	122	365	1.5
GACZ 57 S	2.250	3.5625	1.27	1.050	1.390	0.453	1.140	3.235	0.142	155	466	2.1
GACZ 63 S	2.500	3.9375	1.42	1.180	1.540	0.500	1.270	3.590	0.142	196	589	2.5
GACZ 69 S	2.750	4.3750	1.56	1.275	1.700	0.515	1.400	3.950	0.181	231	694	3.9
GACZ 76 S	3.000	4.7500	1.71	1.405	1.860	0.578	1.530	4.312	0.181	279	838	5.0
GACZ 82 S	3.250	5.1250	1.86	1.545	2.030	0.656	1.670	4.675	0.181	332	995	6.4
GACZ 88 S	3.500	5.5000	2.00	1.675	2.180	0.703	1.800	5.040	0.181	389	1167	7.9
GACZ 95 S	3.750	5.8750	2.15	1.805	2.340	0.765	1.930	5.390	0.181	449	1348	9.6
GACZ 101 S	4.000	6.2500	2.30	1.935	2.500	0.781	2.060	5.750	0.181	515	1545	11.6
GACZ 114 S	4.500	7.0000	2.59	2.195	2.800	0.875	2.320	6.475	0.181	663	1990	17.1
GACZ 127 S	5.000	7.7500	2.88	3.130	3.130	1.000	2.580	7.190	0.181	818	2455	24.4
GACZ 152 S	6.000	8.7500	3.10	2.615	3.375	1.370	2.740	8.156	0.181	985	2955	38.3