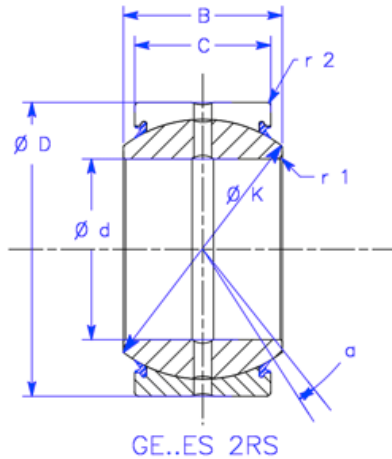




Enduro™ GE.ES.2RS Series Bushings

ABI Industries
6505 San Leandro St.
Oakland, CA 94621
Tel: 510 613 8200
Fax: 510 613 8207



GE.ES 2RS Metric series bushing

Outer race with single axial fracture

ES suffix indicates lubrication ports and grooves in both inner and outer race

2RS indicates rubber seals on either side

All surfaces phosphate treated

Both races coated with MoS₂

Special order options include:

- High temperature seals
- Tapered or special sized bores
- Special coatings for various environments



Part Number	Ø d (mm)	Ø D (mm)	B (mm)	C (mm)	Ø K (mm)	r 1 (mm)	r 2 (mm)	a °	Dyn. C (kN)	Stat. Co (kN)	Weight (lbs)
GE 15 ES2RS	15	26	12	9	22	0.3	0.3	8	17	85	0.057
GE 17 ES2RS	17	30	14	10	25	0.3	0.3	10	21	106	0.088
GE 20 ES2RS	20	35	16	12	29	0.3	0.3	9	30	146	0.141
GE 25 ES2RS	25	42	20	16	36	0.6	0.6	7	48	240	0.254
GE 30 ES2RS	30	47	22	18	41	0.6	0.6	6	62	310	0.328
GE 35 ES2RS	35	55	25	20	47	0.6	1.0	6	80	400	0.503
GE 40 ES2RS	40	62	28	22	53	0.6	1.0	7	100	500	0.701
GE 45 ES2RS	45	68	32	25	60	0.6	1.0	7	127	640	0.928
GE 50 ES2RS	50	75	35	28	66	0.6	1.0	6	156	780	1.24
GE 55 ES2RS	55	85	40	32	74	0.6	1.0	7	200	1000	1.90
GE 60 ES2RS	60	90	44	36	80	1.0	1.0	6	245	1220	2.27
GE 70 ES2RS	70	105	49	40	92	1.0	1.0	6	315	1560	3.46
GE 80 ES2RS	80	120	55	45	105	1.0	1.0	6	400	2000	5.11
GE 90 ES2RS	90	130	60	50	115	1.0	1.0	5	490	2450	6.15
GE 100 ES2RS	100	150	70	55	130	1.0	1.0	7	610	3050	9.79
GE 110 ES2RS	110	160	70	55	140	1.0	1.0	6	655	3250	10.6
GE 120 ES2RS	120	180	85	70	160	1.0	1.0	6	950	4750	17.9
GE 140 ES2RS	140	210	90	70	180	1.0	1.0	7	1080	5400	24.7
GE 160 ES2RS	160	230	105	80	200	1.0	1.0	8	1360	6800	31.1
GE 180 ES2RS	180	260	105	80	225	1.0	1.0	6	1530	7650	40.8
GE 200 ES2RS	200	290	130	100	250	1.1	1.1	7	2120	10600	62.6
GE 220 ES2RS	220	320	135	100	275	1.1	1.1	8	2320	11600	78.7
GE 240 ES2RS	240	340	140	100	300	1.1	1.1	8	2550	12700	87.5
GE 260 ES2RS	260	370	150	110	325	1.1	1.1	7	3030	15190	114
GE 280 ES2RS	280	400	155	120	350	1.1	1.1	6	3570	17850	143
GE 300 ES2RS	300	430	165	120	375	1.1	1.1	7	3800	19100	171