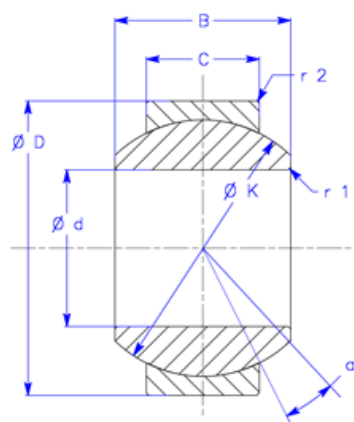




Enduro™ GE.FW Series Bushings

ABI Industries
6505 San Leandro St.
Oakland, CA 94621
Tel: 510 613 8200
Fax: 510 613 8207



GE..FW

- GE.FW metric series bushing
- Outer race formed around ball
- Maintenance free
- Outer race lined with PTFE composite material
- Outer race phosphate treated
- Inner race hard chrome plated
- Special order options include:
 - High temperature seals
 - Tapered and/or special sized bores
 - Special coatings for various environments



Part Number	Ø d (mm)	Ø D (mm)	B (mm)	C (mm)	Ø K (mm)	r 1 (mm)	r 2 (mm)	a °	Dyn. C (kN)	Stat. Co (kN)	Weight (lbs)
GE 6 FW	6	16	9	5	13	0.3	0.3	21	5.8	14.0	0.018
GE 8 FW	8	19	11	6	16	0.3	0.3	21	8.6	21.0	0.031
GE 10 FW	10	22	12	7	18	0.3	0.3	18	11.0	28.0	0.046
GE 12 FW	12	26	15	9	22	0.3	0.3	18	18.0	45.0	0.073
GE 15 FW	15	30	16	10	25	0.3	0.3	16	22.0	56.0	0.10
GE 17 FW	17	35	20	12	29	0.3	0.3	19	31.0	78.0	0.17
GE 20 FW	20	42	25	16	36	0.6	0.6	17	51.0	127	0.33
GE 25 FW	25	47	28	18	41	0.6	0.6	17	65.0	166	0.42
GE 30 FW	30	55	32	20	47	0.6	1.0	17	83.0	212	0.64