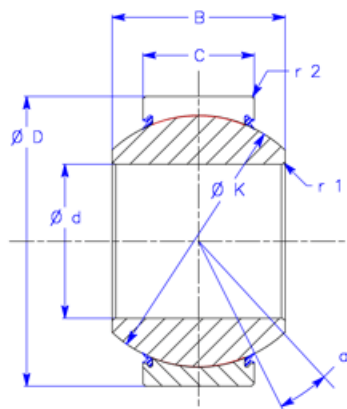




Enduro™ GE.FW.2RS Series Bushings

ABI Industries
6505 San Leandro St.
Oakland, CA 94621
Tel: 510 613 8200
Fax: 510 613 8207



GE..FW 2RS

GE.FW 2RS metric series bushing

Outer race with single axial fracture (FT Style with two fractures)

Maintenance free

Outer race lined with PTFE fabric

2RS indicates rubber seals on each side

Outer race phosphate treated

Inner race hard chrome plated

Special order options include:

- High temperature seals
- Tapered and/or special sized bores
- Special coatings for various environments



Part Number	Ø d (mm)	Ø D (mm)	B (mm)	C (mm)	Ø K (mm)	r 1 (mm)	r 2 (mm)	a °	Dyn. C (kN)	Stat. Co (kN)	Weight (lbs)
GE 15 FW2RS	15	30	16	10	25	0.3	0.3	16	22.4	56	0.101
GE 17 FW2RS	17	35	20	12	29	0.3	0.3	19	31.5	78	0.172
GE 20 FW2RS	20	42	25	16	36	0.6	0.6	17	51.0	127	0.331
GE 25 FW2RS	25	47	28	18	41	0.6	0.6	17	65.5	166	0.419
GE 30 FW2RS	30	55	32	20	47	0.6	1.0	17	210	350	0.639
GE 35 FW2RS	35	62	35	22	53	0.6	1.0	16	277	462	0.860
GE 40 FW2RS	40	68	40	25	60	0.6	1.0	17	360	600	1.15
GE 45 FW2RS	45	75	43	28	66	0.6	1.0	15	442	737	1.50
GE 55 FW2RS	50	90	56	36	80	0.6	1.0	17	690	1150	3.09
GE 60 FW2RS	60	105	63	40	92	1.0	1.0	17	885	1475	4.41
GE 70 FW2RS	70	120	70	45	105	1.0	1.0	16	1125	1875	6.39
GE 80 FW2RS	80	130	75	50	115	1.0	1.0	14	1380	2300	7.72
GE 90 FW2RS	90	150	85	55	130	1.0	1.0	15	1717	2862	11.9
GE 100 FW2RS	100	160	85	55	140	1.0	1.0	14	1845	3075	13.2
GE 110 FW2RS	110	180	100	70	160	1.0	1.0	12	2685	4475	21.4
GE 120 FW2RS	120	210	115	70	180	1.0	1.0	16	3015	5025	30.9
GE 140 FW2RS	240	230	130	80	200	1.0	1.0	16	3840	6400	41.9
GE 160 FT2RS	160	260	135	80	225	1.1	1.1	16	4320	7200	54.5
GE 180 FT2RS	180	290	155	100	250	1.1	1.1	14	6000	10000	79.1
GE 200 FT2RS	200	320	165	100	270	1.1	1.1	15	6600	11000	99.9
GE 220 FT2RS	220	340	175	100	300	1.1	1.1	16	7200	12000	113
GE 240 FT2RS	240	370	190	110	325	1.1	1.1	15	8550	14250	144
GE 260 FT2RS	260	400	205	120	350	1.1	1.1	15	10050	16750	182
GE 280 FT2RS	280	430	210	120	375	1.1	1.1	15	10800	18000	214



Enduro™ GE.FW.2RS Series Bushings

**ABI Industries
6505 San Leandro St.
Oakland, CA 94621
Tel: 510 613 8200
Fax: 510 613 8207**