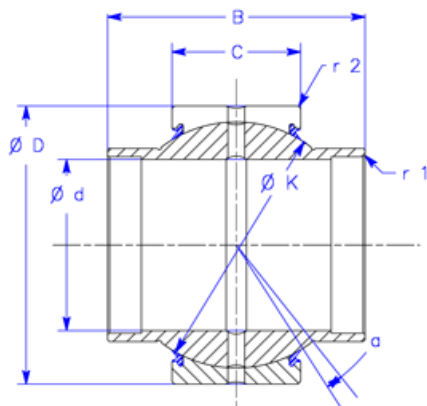




## Enduro™ GE.HO.2RS Metric Series Bushing

ABI Industries  
6505 San Leandro St.  
Oakland, CA 94621  
Tel: 510 613 8200  
Fax: 510 613 8207



GE..HO 2RS

- GE.HO2RS Metric series bushing
- Outer race with single axial fracture
- Lubrication ports and grooves in both inner and outer race
- 2RS suffix indicates seals on each side
- All surfaces phosphate treated
- Both races coated with MoS<sub>2</sub>
- Special order options include:
  - High temperature seals
  - Tapered or special sized bores
  - Special coatings for various environments



Part Number	Ø d (mm)	Ø D (mm)	B (mm)	C (mm)	Ø K (mm)	r (mm)	r 2 (mm)	a °	Dyn. C (kN)	Stat. Co (kN)	Weight (lbs)
GE 20 HO2RS	20	35	24	12	29	0.3	0.3	4	30	146	0.152
GE 25 HO2RS	25	42	29	16	36	0.6	0.6	4	48	240	0.265
GE 30 HO2RS	30	47	30	18	40.7	0.6	0.6	4	62	310	0.331
GE 35 HO2RS	35	55	35	20	47	0.6	0.6	4	80	400	0.573
GE 40 HO2RS	40	62	38	22	53	0.6	1.0	4	100	500	0.705
GE 45 HO2RS	45	68	40	25	60	0.6	1.0	4	127	640	0.948
GE 50 HO2RS	50	75	43	28	66	0.6	1.0	4	156	780	1.21
GE 60 HO2RS	60	90	54	36	80	1.0	1.0	4	245	1220	2.43
GE 70 HO2RS	70	105	65	40	92	1.0	1.0	4	315	1560	3.53
GE 80 HO2RS	80	120	74	45	105	1.0	1.0	4	400	2000	5.51