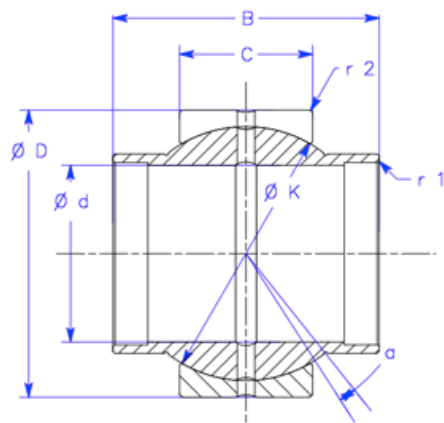




## Enduro™ GE.LO Metric Series Bushing

ABI Industries  
6505 San Leandro St.  
Oakland, CA 94621  
Tel: 510 613 8200  
Fax: 510 613 8207



GE..LO

- GE.LO Metric series bushing
- Outer race with single axial fracture
- Lubrication ports and grooves in both inner and outer race
- All surfaces phosphate treated
- Both races coated with MoS<sub>2</sub>
- Special order options include:
  - High temperature seals
  - Tapered or special sized bores
  - Special coatings for various environments



Part Number	Ø d (mm)	Ø D (mm)	B (mm)	C (mm)	Ø K (mm)	r 1 (mm)	r 2 (mm)	a °	Dyn. C (kN)	Stat. Co (kN)	Weight (lbs)
GE 20 LO	20	35	20	12	29.0	0.3	0.3	4	31.0	155	0.154
GE 25 LO	25	42	25	16	35.5	0.6	0.6	4	49.5	248	0.265
GE 30 LO	30	47	30	18	40.7	0.6	0.6	4	62.0	317	0.370
GE 32 LO	32	52	32	18	44.0	0.6	1.0	4	67.0	335	0.456
GE 35 LO	35	55	35	20	47.0	0.6	0.6	4	81.7	413	0.558
GE 40 LO	40	62	40	22	53.0	0.6	1.0	4	104	520	0.728
GE 45 LO	45	68	45	25	60.0	0.6	1.0	4	129	645	1.060
GE 50 LO	50	75	50	28	66.0	0.6	1.0	4	161	807	1.23
GE 60 LO	60	90	60	36	80.0	1.0	1.0	4	250	1250	2.54
GE 63 LO	63	95	63	36	83.0	1.0	1.0	4	255	1270	2.80
GE 70 LO	70	105	70	40	92.0	1.0	1.0	4	325	1620	3.77
GE 80 LO	80	120	80	45	105.0	1.0	1.0	4	410	2070	5.27
GE 90 LO	90	130	90	50	115.0	1.0	1.0	4	490	2450	6.70
GE 100 LO	100	150	100	55	130.0	1.0	1.0	4	610	3050	10.74
GE 110 LO	110	160	110	55	140.0	1.0	1.0	4	655	3250	12.2
GE 125 LO	125	180	125	70	160.0	1.0	1.0	4	950	4750	18.1
GE 160 LO	160	230	160	80	200.0	1.0	1.0	4	1360	6800	34.8
GE 200 LO	200	290	200	100	250.0	1.1	1.1	4	2120	10600	69.9