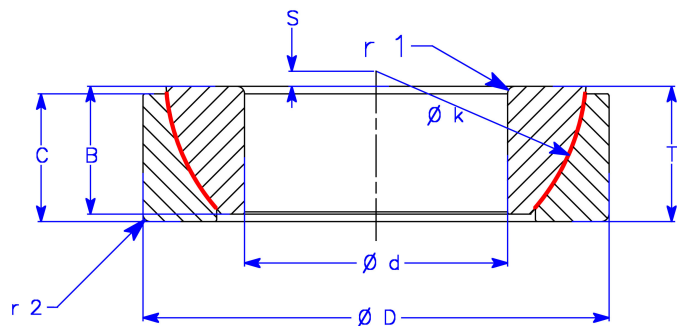




# Enduro™ GE.SW Series Bushings

ABI Industries  
6505 San Leandro St.  
Oakland, CA 94621  
Tel: 510 613 8200  
Fax: 510 613 8207



GE.SW metric series bushing

Maintenance free

Outer race lined with PTFE fabric

Inner race surface hard chrome plated

Special order options include:

- High temperature seals
- Tapered and/or special sized bores
- Special coatings for various environments



GE..SW

Part Number	Ø d (mm)	Ø D (mm)	B (mm)	C (mm)	T (mm)	S (mm)	Ø K (mm)	r (mm)	Dyn. C (kN)	Stat. Co (kN)	Weight (lbs)
GE 25 SW	25	47	15	14	15	1.0	42	0.6	71	140	0.31
GE 28 SW	28	52	15	15	16	1.0	47	1.0	90	180	0.40
GE 30 SW	30	55	17	15	17	2.0	50	1.0	95	190	0.49
GE 32 SW	32	58	17	16	17	2.0	52	1.0	102	204	0.53
GE 35 SW	35	62	18	16	18	2.0	56	1.0	116	232	0.62
GE 40 SW	40	68	19	17	19	1.5	62	1.0	134	270	0.75
GE 45 SW	45	75	20	18	20	1.5	69	1.0	160	320	0.95
GE 50 SW	50	80	20	19	20	4.0	74	1.0	176	355	1.0
GE 55 SW	55	90	23	20	23	4.0	82	1.5	220	440	1.5
GE 60 SW	60	95	23	21	23	5.0	89	1.5	240	480	1.7
GE 65 SW	65	100	23	22	23	5.0	94	1.5	260	520	1.8
GE 70 SW	70	110	25	23	25	7.0	102	1.5	315	630	2.2
GE 75 SW	75	115	25	24	25	7.9	107	1.5	345	670	2.4
GE 80 SW	80	125	29	26	29	10.0	115	1.5	375	750	3.5
GE 85 SW	85	130	29	27	29	9.4	122	1.5	425	810	3.7
GE 90 SW	90	140	32	28	32	11.0	129	2.0	480	965	4.9
GE 95 SW	95	145	32	30	32	10.8	135	2.0	500	1000	5.1
GE 100 SW	100	150	32	31	32	12.0	141	2.0	520	1040	5.3
GE 105 SW	105	160	35	33	35	12.3	148	2.0	565	1250	6.4
GE 110 SW	110	170	38	34	38	15.0	155	2.5	710	1430	8.2
GE 120 SW	120	180	38	37	38	17.0	168	2.5	765	1530	8.8
GE 130 SW	130	200	45	43	45	20.0	188	2.5	965	1930	13.2
GE 140 SW	140	210	45	43	45	20.0	198	2.5	1020	2040	14.1
GE 150 SW	150	225	48	46	48	21.0	211	3.0	1180	2360	17.4
GE 160 SW	160	240	51	49	51	21.0	225	3.0	1340	2700	21.2
GE 170 SW	170	260	57	55	57	27.0	246	3.0	1660	3350	28.7
GE 180 SW	180	280	64	61	64	21.0	260	3.0	2000	4000	38.6
GE 190 SW	190	290	64	62	64	29.0	275	3.0	2080	4150	39.7
GE 200 SW	200	310	70	66	70	26.0	290	3.0	2360	4750	50.7