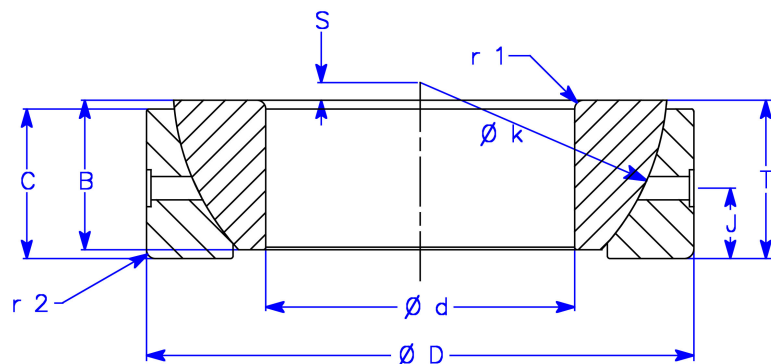




## Enduro™ GE.SX Series Bushings

ABI Industries  
6505 San Leandro St.  
Oakland, CA 94621  
Tel: 510 613 8200  
Fax: 510 613 8207



GE..SX

GE.SX metric series bushing

Lubrication port and groove in outer race

All surfaces phosphate treated

Both races coated with MoS<sub>2</sub>

Special order options include:

- High temperature seals
- Tapered and/or special sized bores
- Special coatings for various environments



Part Number	$\varnothing d$ (mm)	$\varnothing D$ (mm)	B (mm)	C (mm)	T (mm)	J (mm)	S (mm)	$\varnothing K$ (mm)	r (mm)	Dyn. C (kN)	Stat. Co (kN)	Weight (lbs)
GE 25 SX	25	47	15	14	15	7.5	1.0	42	0.6	50	250	0.33
GE 28 SX	28	52	15	15	16	8.0	1.0	47	1.0	60	300	0.41
GE 30 SX	30	55	17	15	17	8.5	2.0	50	1.0	63	315	0.46
GE 32 SX	32	58	17	16	17	8.5	2.0	52	1.0	71	354	0.53
GE 35 SX	35	62	18	16	18	9.0	2.0	56	1.0	78	390	0.59
GE 40 SX	40	68	19	17	19	9.5	1.5	62	1.0	92	463	0.72
GE 45 SX	45	75	20	18	20	10.0	1.5	69	1.0	108	540	0.92
GE 50 SX	50	80	20	19	20	10.0	4.0	74	1.0	123	618	1.0
GE 55 SX	55	90	23	20	23	11.5	4.0	82	1.5	144	721	1.4
GE 60 SX	60	95	23	21	23	11.5	5.0	89	1.5	163	817	1.6
GE 65 SX	65	100	23	22	23	11.5	5.0	94	1.5	180	905	1.7
GE 70 SX	70	110	25	23	25	12.5	7.0	102	1.5	206	1030	2.3
GE 75 SX	75	115	25	24	25	12.5	7.9	107	1.5	220	1129	2.5
GE 80 SX	80	125	29	26	29	14.5	10.0	115	1.5	258	1290	3.4
GE 85 SX	85	130	29	27	29	14.5	9.4	122	1.5	284	1422	3.5
GE 90 SX	90	140	32	28	32	16.0	11.0	129	2.0	316	1580	4.6
GE 95 SX	95	145	32	30	32	16.0	10.8	135	2.0	350	1750	4.9
GE 100 SX	100	150	32	31	32	16.0	12.0	141	2.0	384	1923	5.2
GE 105 SX	105	160	35	33	35	17.5	12.3	148	2.0	423	2116	6.5
GE 110 SX	110	170	38	34	38	19.0	15.0	155	2.5	463	2318	8.1
GE 120 SX	120	180	38	37	38	19.0	17.0	168	2.5	547	2735	8.8
GE 130 SX	130	200	45	43	45	19.0	20.0	188	2.5	710	3550	13.1
GE 140 SX	140	210	45	43	45	19.0	20.0	198	2.5	740	3740	14.0
GE 150 SX	150	225	48	46	48	20.5	21.0	211	3.0	850	4270	17.7
GE 160 SX	160	240	51	49	51	22.0	21.0	225	3.0	970	4850	21.6
GE 170 SX	170	260	57	55	57	27.0	27.0	246	3.0	1190	5950	27.1
GE 180 SX	180	280	64	61	64	28.0	21.0	260	3.0	1395	6970	38.4
GE 190 SX	190	290	64	62	64	30.0	29.0	275	3.0	1500	7500	40.1
GE 200 SX	200	310	70	66	70	30.0	26.0	290	3.0	1680	8420	52.5