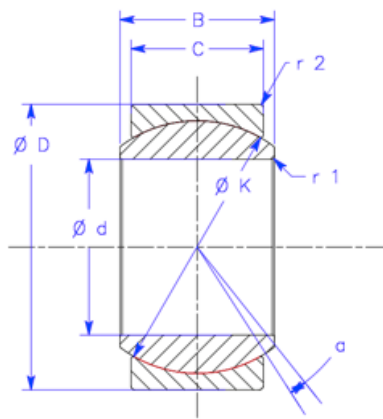




Enduro™ GE.UK Series Bushings

ABI Industries
6505 San Leandro St.
Oakland, CA 94621
Tel: 510 613 8200
Fax: 510 613 8207



GE..UK

- GE.UK metric series bushing
- Outer race formed over ball
- Maintenance free
- Outer race lined with PTFE composite material
- Inner race hard chrome plated
- Special order options include:
 - High temperature seals
 - Tapered and/or special sized bores
 - Special coatings for various environments



Part Number	Ø d (mm)	Ø D (mm)	B (mm)	C (mm)	Ø K (mm)	r 1 (mm)	r 2 (mm)	a °	Dyn. C (kN)	Stat. Co (kN)	Weight (lbs)
GE 6 UK	6	14	6	4	10	0.3	0.3	13	3	17	0.011
GE 8 UK	8	16	8	5	13	0.3	0.3	15	6	28	0.015
GE 10 UK	10	19	9	6	16	0.3	0.3	12	8	41	0.024
GE 12 UK	12	22	10	7	18	0.3	0.3	11	11	54	0.037
GE 15 UK	15	26	12	9	22	0.3	0.3	8	17	85	0.057
GE 17 UK	17	30	14	10	25	0.3	0.3	10	21	106	0.088
GE 20 UK	20	35	16	12	29	0.3	0.3	9	30	146	0.141
GE 25 UK	25	42	20	16	36	0.6	0.6	7	48	240	0.254
GE 30 UK	30	47	22	18	41	0.6	0.6	6	62	310	0.328