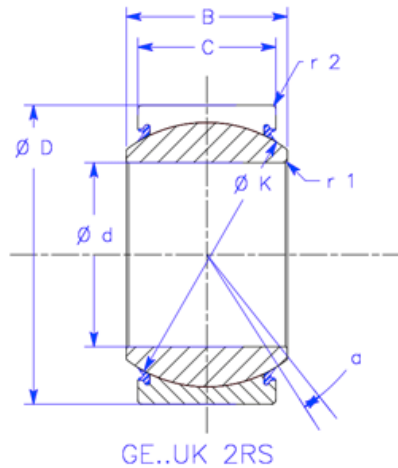




Enduro™ GE.UK2RS Series Bushings

ABI Industries
 6505 San Leandro St.
 Oakland, CA 94621
 Tel: 510 613 8200
 Fax: 510 613 8207



- GE.UK2RS metric series bushing
- Outer race with single axial fracture (UT Style with two fractures)
- Maintenance free
- Outer race lined with PTFE fabric
- 2RS indicates rubber seals on each side
- Outer race phosphate treated
- Inner race hard chrome plated
- Special order options include:
 - High temperature seals
 - Tapered and/or special sized bores
 - Special coatings for various environments



Part Number	Ø d (mm)	Ø D (mm)	B (mm)	C (mm)	Ø K (mm)	r 1 (mm)	r 2 (mm)	a °	Dyn. C (kN)	Stat. Co (kN)	Weight (lbs)
GE 15 UK2RS	15	26	12	9	22	0.3	0.3	8	17	85	0.057
GE 17 UK2RS	17	30	14	10	25	0.3	0.3	10	21	106	0.088
GE 20 UK2RS	20	35	16	12	29	0.3	0.3	9	30	146	0.141
GE 25 UK2RS	25	42	20	16	36	0.6	0.6	7	48	240	0.254
GE 30 UK2RS	30	47	22	18	41	0.6	0.6	6	62	310	0.328
GE 35 UK2RS	35	55	25	20	47	0.6	1.0	6	80	400	0.503
GE 40 UK2RS	40	62	28	22	53	0.6	1.0	7	100	500	0.701
GE 45 UK2RS	45	68	32	25	60	0.6	1.0	7	127	640	0.928
GE 50 UK2RS	50	75	35	28	66	0.6	1.0	6	156	780	1.24
GE 55 UK2RS	55	85	40	32	74	0.6	1.0	7	200	1000	1.90
GE 60 UK2RS	60	90	44	36	80	1.0	1.0	6	245	1220	2.27
GE 70 UK2RS	70	105	49	40	92	1.0	1.0	6	315	1560	3.46
GE 80 UK2RS	80	120	55	45	105	1.0	1.0	6	400	2000	5.11
GE 90 UK2RS	90	130	60	50	115	1.0	1.0	5	490	2450	6.15
GE 100 UK2RS	100	150	70	55	130	1.0	1.0	7	610	3050	9.79
GE 110 UK2RS	110	160	70	55	140	1.0	1.0	6	655	3250	10.6
GE 120 UK2RS	120	180	85	70	160	1.0	1.0	6	950	4750	17.9
GE 140 UK2RS	140	210	90	70	180	1.0	1.0	7	1080	5400	24.7
GE 160 UT2RS	160	230	105	80	200	1.0	1.0	8	1360	6800	31.1
GE 180 UT2RS	180	260	105	80	225	1.0	1.0	6	1530	7650	40.8
GE 200 UT2RS	200	290	130	100	250	1.1	1.1	7	2120	10600	62.6
GE 220 UT2RS	220	320	135	100	275	1.1	1.1	8	2320	11600	78.7
GE 240 UT2RS	240	340	140	100	300	1.1	1.1	8	2550	12700	87.5
GE 260 UT2RS	260	370	150	110	325	1.1	1.1	7	3030	15190	114
GE 280 UT2RS	280	400	155	120	350	1.1	1.1	6	3570	17850	143
GE 300 UT2RS	300	430	165	120	375	1.1	1.1	7	3800	19100	171