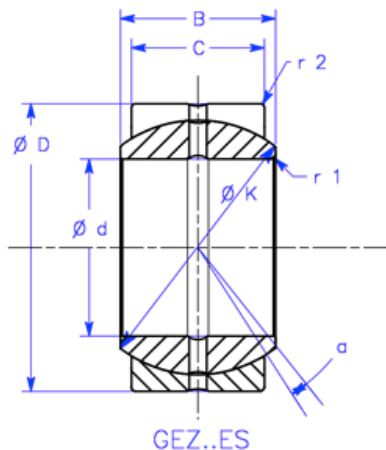




## Enduro™ GEZ.ES Series Bushings

ABI Industries  
6505 San Leandro St.  
Oakland, CA 94621  
Tel: 510 613 8200  
Fax: 510 613 8207



GEZ.ES inch series bushing  
Outer race with single axial fracture  
ES suffix indicates lubrication ports and grooves in both inner and outer race  
All surfaces phosphate treated  
Both races coated with MoS<sub>2</sub>  
Special order options include:  
-High temperature seals  
-Tapered or special sized bores  
-Special coatings for various environments



Part Number	Ø d (inches)	Ø D (inches)	B (inches)	C (inches)	Ø K (inches)	r 1 (inches)	r 2 (inches)	a °	Dyn. C (kN)	Stat. Co (kN)	Weight (lbs)
GEZ 12 ES	0.500	0.8750	0.437	0.375	0.719	0.015	0.022	6	13	41	0.044
GEZ 15 ES	0.625	1.0620	0.547	0.469	0.899	0.015	0.032	6	22	65	0.079
GEZ 19 ES	0.750	1.2500	0.656	0.562	1.080	0.022	0.032	6	31	96	0.126
GEZ 22 ES	0.875	1.4375	0.765	0.656	1.258	0.022	0.032	6	42	127	0.193
GEZ 25 ES	1.000	1.6250	0.875	0.750	1.437	0.022	0.032	6	56	166	0.276
GEZ 31 ES	1.250	2.0000	1.093	0.937	1.795	0.022	0.032	6	86	260	0.516
GEZ 34 ES	1.375	2.1875	1.187	1.031	1.937	0.022	0.032	6	102	310	0.770
GEZ 38 ES	1.500	2.4375	1.312	1.125	2.155	0.022	0.032	6	125	375	0.934
GEZ 44 ES	1.750	2.8125	1.531	1.312	2.515	0.022	0.032	6	170	510	1.43
GEZ 50 ES	2.000	3.1875	1.750	1.500	2.875	0.022	0.032	6	224	670	2.07
GEZ 57 ES	2.250	3.5625	1.969	1.687	3.235	0.022	0.032	6	280	850	2.92
GEZ 63 ES	2.500	3.9375	2.187	1.875	3.590	0.022	0.032	6	355	1050	4.09
GEZ 69 ES	2.750	4.3750	2.406	2.062	3.950	0.022	0.032	6	415	1250	5.38
GEZ 76 ES	3.000	4.7500	2.625	2.250	4.312	0.022	0.032	6	400	1500	6.87
GEZ 82 ES	3.250	5.1250	2.844	2.437	4.675	0.022	0.032	6	585	1760	8.63
GEZ 88 ES	3.500	5.5000	3.062	2.625	5.040	0.022	0.032	6	680	2040	10.7
GEZ 95 ES	3.750	5.8750	3.281	2.812	5.390	0.022	0.032	6	780	2360	13.0
GEZ 101 ES	4.000	6.2500	3.500	3.000	5.750	0.022	0.032	6	900	2650	15.6
GEZ 107 ES	4.250	6.6250	3.719	3.187	6.098	0.032	0.044	6	1000	2900	18.5
GEZ 114 ES	4.500	7.0000	3.937	3.375	6.475	0.032	0.044	6	1120	3400	21.6
GEZ 120 ES	4.750	7.3750	4.156	3.562	6.831	0.032	0.044	6	1250	3750	25.4
GEZ 127 ES	5.000	7.7500	4.375	3.750	7.190	0.032	0.044	6	1400	4150	29.8
GEZ 152 ES	6.000	8.7500	4.750	4.125	8.156	0.032	0.044	5	1730	5200	38.6