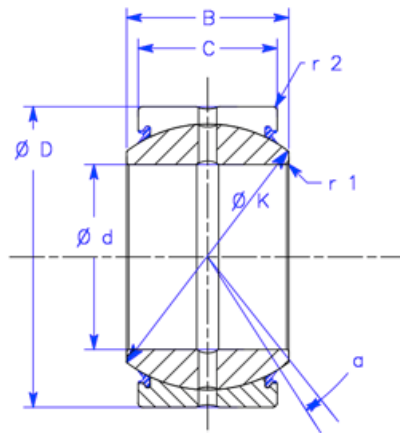




## Enduro™ GEZ.ES2RS Series Bushings

ABI Industries  
6505 San Leandro St.  
Oakland, CA 94621  
Tel: 510 613 8200  
Fax: 510 613 8207



GEZ..ES 2RS

- GEZ.ES2RS inch series bushing
- Outer race with single axial fracture
- ES suffix indicates lubrication ports and grooves in both inner and outer race
- 2RS indicates rubber seals on either side
- All surfaces phosphate treated
- Both races coated with MoS<sub>2</sub>
- Special order options include:
  - High temperature seals
  - Tapered or special sized bores
  - Special coatings for various environments



Part Number	Ø d (inches)	Ø D (inches)	B (inches)	C (inches)	Ø K (inches)	r 1 (inches)	r 2 (inches)	a °	Dyn. C (kN)	Stat. Co (kN)	Weight (lbs)
GEZ 19 ES2RS	0.750	1.2500	0.656	0.562	1.080	0.022	0.032	6	31	96	0.126
GEZ 22 ES2RS	0.875	1.4375	0.765	0.656	1.258	0.022	0.032	6	42	127	0.193
GEZ 25 ES2RS	1.000	1.6250	0.875	0.750	1.437	0.022	0.032	6	56	166	0.276
GEZ 31 ES2RS	1.250	2.0000	1.093	0.937	1.795	0.022	0.032	6	86	260	0.516
GEZ 34 ES2RS	1.375	2.1875	1.187	1.031	1.937	0.022	0.032	6	102	310	0.770
GEZ 38 ES2RS	1.500	2.4375	1.312	1.125	2.155	0.022	0.032	6	125	375	0.934
GEZ 44 ES2RS	1.750	2.8125	1.531	1.312	2.515	0.022	0.032	6	170	510	1.43
GEZ 50 ES2RS	2.000	3.1875	1.750	1.500	2.875	0.022	0.032	6	224	670	2.07
GEZ 57 ES2RS	2.250	3.5625	1.969	1.687	3.235	0.022	0.032	6	280	850	2.92
GEZ 63 ES2RS	2.500	3.9375	2.187	1.875	3.590	0.022	0.032	6	355	1050	4.09
GEZ 69 ES2RS	2.750	4.3750	2.406	2.062	3.950	0.022	0.032	6	415	1250	5.38
GEZ 76 ES2RS	3.000	4.7500	2.625	2.250	4.312	0.022	0.032	6	400	1500	6.87
GEZ 82 ES2RS	3.250	5.1250	2.844	2.437	4.675	0.022	0.032	6	585	1760	8.63
GEZ 88 ES2RS	3.500	5.5000	3.062	2.625	5.040	0.022	0.032	6	680	2040	10.7
GEZ 95 ES2RS	3.750	5.8750	3.281	2.812	5.390	0.022	0.032	6	780	2360	13.0
GEZ 101 ES2RS	4.000	6.2500	3.500	3.000	5.750	0.022	0.032	6	900	2650	15.6
GEZ 107 ES2RS	4.250	6.6250	3.719	3.187	6.098	0.032	0.044	6	1000	2900	18.5
GEZ 114 ES2RS	4.500	7.0000	3.937	3.375	6.475	0.032	0.044	6	1120	3400	21.9
GEZ 120 ES2RS	4.750	7.3750	4.156	3.562	6.831	0.032	0.044	6	1250	3750	25.4
GEZ 127 ES2RS	5.000	7.7500	4.375	3.750	7.190	0.032	0.044	6	1400	4150	38.8
GEZ 152 ES2RS	6.000	8.7500	4.750	4.125	8.156	0.032	0.044	6	1730	5200	50.4