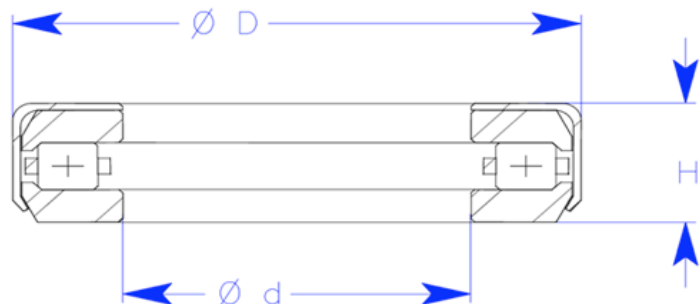




Enduro™ "T" Series Thrust Bearings

ABI Industries
6505 San Leandro St.
Oakland, CA 94621
Tel: 510 613 8200
Fax: 510 613 8207



"T" series roller thrust bearings are used in a variety of industries including material handling, heavy equipment, and oilfield equipment.

These bearings are conveniently held together by a steel shroud which both facilitates assembly and protects the rolling elements from contamination.

Additional sizes can be provided with short lead times and low minimums.

Oil hole "W" option is available in all sizes.



Part Number	Ø d (in)	Ø D (in)	b (in)
T-76	0.760	1.625	0.531
T-77	0.760	1.625	0.500
T-83	0.822	1.660	0.531
T-88	0.885	1.891	0.594
T-101	1.010	2.000	0.625
T-104	1.035	2.000	0.625
T-107	1.072	2.000	0.625
T-113	1.135	2.188	0.625
T-119	1.198	2.188	0.625
T-126	1.260	2.188	0.625
T-127	1.260	2.625	0.766
T-138	1.385	2.625	0.766
T-139-W	1.385	2.313	0.625
T-151	1.510	2.859	0.844
T-151-W	1.510	2.859	0.844
T-163-W	1.635	2.859	0.844
T-176	1.760	3.266	0.938
T-188	1.885	3.266	0.938
T-199	2.010	2.938	0.625
T-202	2.0100	4	1.1
T-208	2.0700	4	1.1
T-252	2.5100	4	1.0
T-301	3.0100	5	1.3
T-302	3.0100	5	1.4
T-302-W	3.0100	5	1.4
T-309	3.0938	4	0.6
T-350	3.5000	5	1.3
T-387	3.8750	5	0.7
T-581	5.8125	7	0.7